

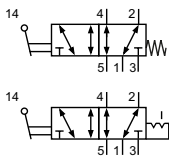
Technical details

Temperature range	0°C ... +60°C
Operating pressure	0 ... 8 bar
Medium	Filtered, oil-free and dried compressed air according to ISO 8573-1:2010, Class 7:2:4, instrument air, free of aggressive additives. Differing the pressure dew point must be at least 10°C below lowest occurring ambient temperature.
Materials	Body: Al (anodized), plastic, seals: NBR , inner parts: Al, steel



Hand lever operated spool valve.

5/2-way-Valves

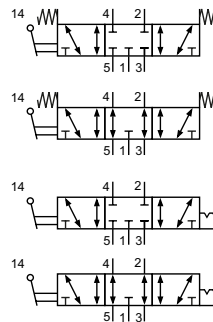


84-4HF-xx-510
5/2-way, hand lever, mechanical spring return

84-4HR-xx-520
5/2-way, two positions, hand lever, detent

Please complete: xx = 18 for G1/8
xx = 14 for G1/4
xx = 12 for G1/2

5/3-way-Valves



84-4HF-xx-530
5/3-way, center position closed, hand lever, spring return

84-4HF-xx-533
5/3-way, center position exhausted, hand lever, spring return

84-4HR-xx-530
5/3-way, center position closed, hand lever, detent

84-4HR-xx-533
5/3-way, center position exhausted, hand lever, detent

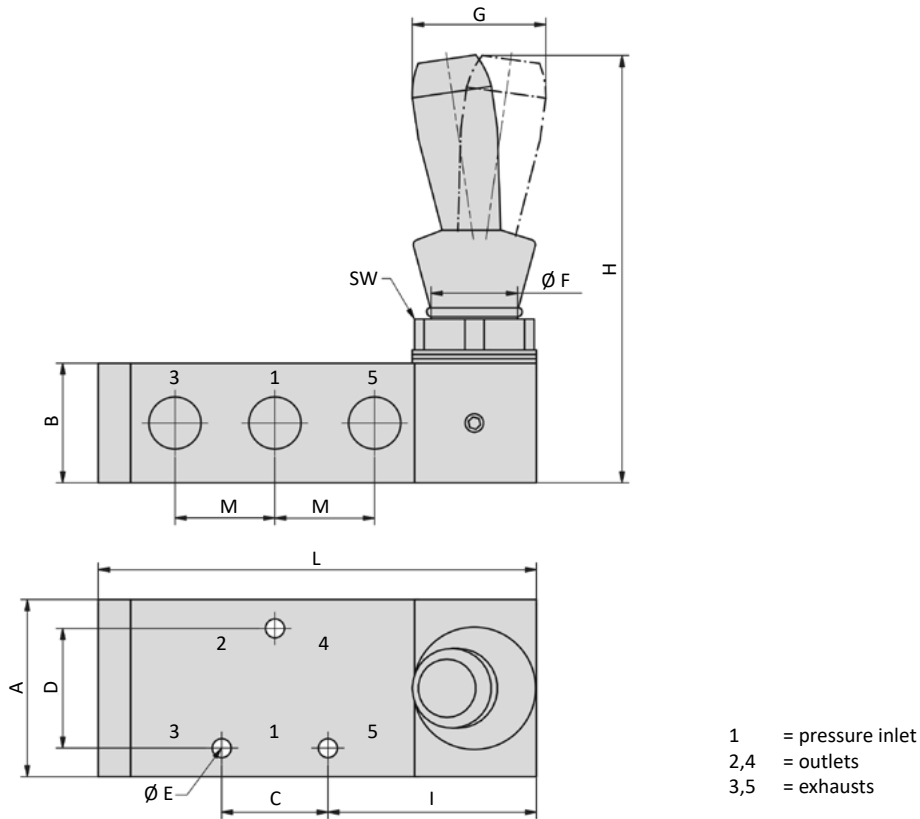
Technical data

Model-no.:	84-4HF-18-510	84-4HF-14-510	84-4HF-14-530	84-4HF-14-533
Connection	G1/8	G1/4	G1/4	G1/4
Nominal size (mm)	4.5	6	5	5
Flow rate (NI/min)	750	1350	980	980
Weight (kg)	0.168	0.252	0.310	0.310

Model-no.:	84-4HR-18-520	84-4HR-14-520	84-4HR-12-520	84-4HR-14-530	84-4HR-14-533	84-4HR-12-530
Connection	G1/8	G1/4	G1/2	G1/4	G1/4	G1/2
Nominal size (mm)	4.5	6	8	5	5	6.5
Flow rate (NI/min)	750	1350	2500	980	980	1600
Weight (kg)	0.170	0.255	0.540	0.250	0.250	0.560

Series 84-4HF, 84-4HR

Dimensions



Model-no.:	A	B	C	D	Ø E	Ø F	G	H	I	L	M	SW
84-4HF-18-510	35	22	20	21	4.3	15	16	90	38	81.3	18	22
84-4HF-14-510	40	27	24	27	4.3	20	20	93	48	100.5	22.5	27
84-4HF-14-530	40	27	24	27	4.3	20	20	93	57	119.5	22.5	27
84-4HF-14-533	40	27	24	27	4.3	20	20	93	57	119.5	22.5	27
84-4HR-18-520	35	22	20	21	4.3	15	16	90	38	81.3	18	22
84-4HR-14-520	40	27	24	27	4.3	20	20	93	48	100.5	22.5	27
84-4HR-14-530	40	27	24	27	4.3	20	20	93	48	100.5	22.5	27
84-4HR-14-533	40	27	24	27	4.3	20	20	93	48	100.5	22.5	27
84-4HR-12-520	50	34	28	35	5.5	22	28	103.5	57	128.5	31.5	-
84-4HR-12-530	50	34	28	35	5.5	22	30	108.5	57	128.5	31.5	27